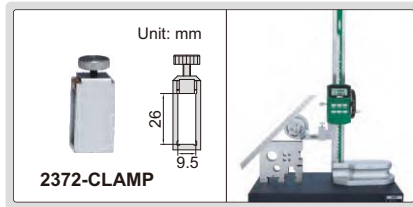
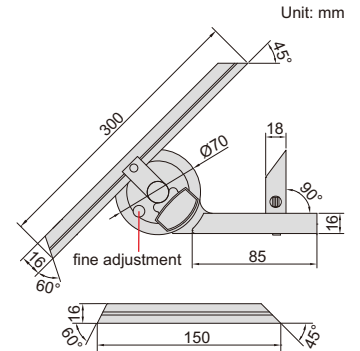
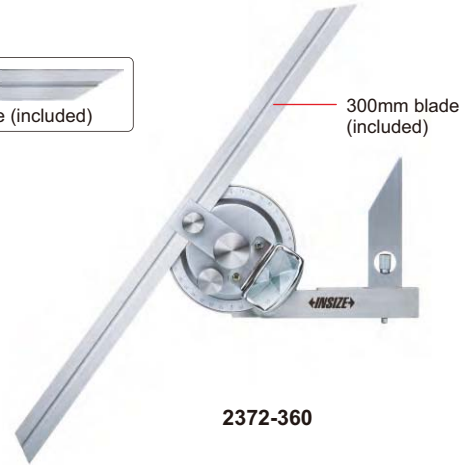
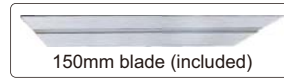


UNIVERSAL PROTRACTOR

clamp for height gages (**optional**)



- Parallax-free reading
- Made of stainless steel
- Optional accessory: clamp (code **2372-CLAMP**), suitable for height gages **1156**, **1150-300**, **1351**, **1250** and **1151**



Code	Range	Graduation	Accuracy
2372-360	0-360°	5'	±5'